

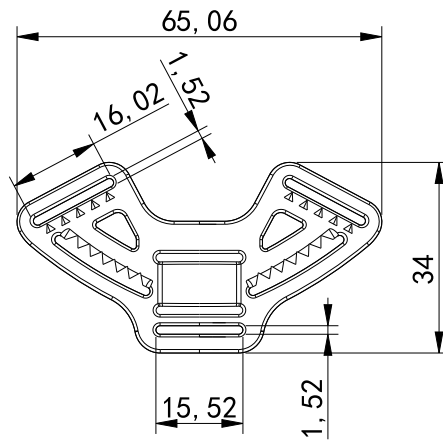
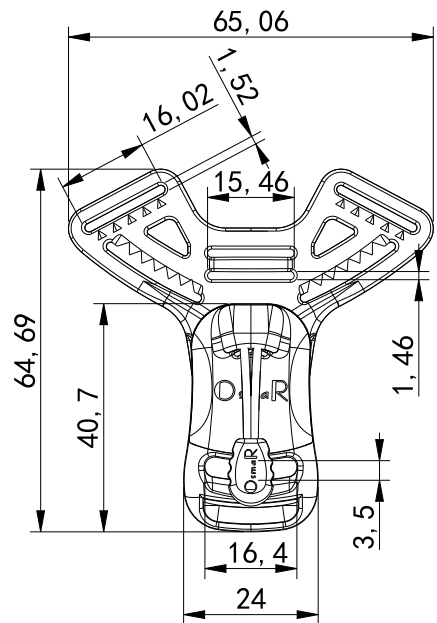
L16Y



L16Y



L16YS



L16YS

LianYang Plastic (Shen Zhen) Co. Ltd

GENERAL TOLERANC: 0.0 ± 0.1 0.00 ± 0.05 ANGULAR ± 0.5° GENERAL RADIUS: 0.5 GENERAL CHAMFER: 0.5 GENERAL DRAFT: 1°	DESIGN	Mr Zeng	DATE	2024. 7. 9	FILE NAME	L16Y-L16YS
	CHECKED	Mr Li	DATE		PARTS NAME	MD
	APPROVAL		DATE		MATERIAL	
	PROJECTION		SCALE: 0.8	UNIT: MM	SHEET	1 OF 1