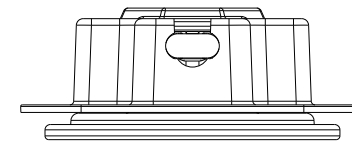
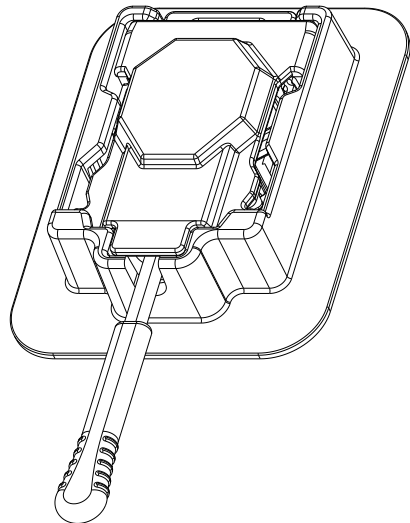
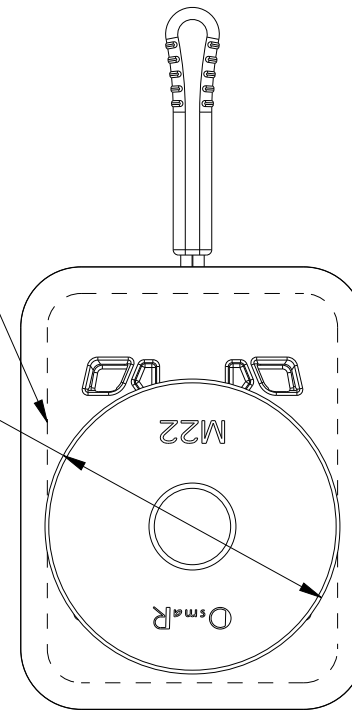


车缝位

∅ 39



LianYang Plastic (Shen Zhen) Co. Ltd

GENERAL TOLERANC: 0.0 ± 0.1 0.00 ± 0.05 ANGULAR ± 0.5° GENERAL RADIUS: 0.5 GENERAL CHAMFER: 0.5 GERENAL DRAFT: 1°	DESIGN	Mr Zeng	DATE	2024. 3. 1	FILE NAME	E01L
	CHECKED	Mr Li	DATE		PARTS NAME	MD
	APPROVAL		DATE		MATERIAL	
	PROJECTION		SCALE: 1: 1	UNIT: MM	SHEET	1 OF 1